

PITNEY BOWES

SE-900EI
Envelope Inserter
FEEDER
(REPLACE-A-STATION SERIES)
WITH DYNAMIC ROTATION

Parts Manual



DIRECT MAIL SOLUTIONS

12050 49th STREET NORTH - CLEARWATER, FL. 33762-4301
PHONE: 727.571.3330 - FAX: 727.571.3443 - TOLL FREE: 1.800.INSERTER
web: surefeed.com

VERSION HISTORY

The table below summarizes the history of this document as it is published onto the company website(s). It identifies the version, date of issue and revisions and changes.

VERSION	DATE	CHANGES
900-EI_PARTS_REVa	9-03-08	Added shroudless separator, updated to BOM
SE-900-EIPARTSreva_1	6-19-09	Updated to DMS, RENAMED

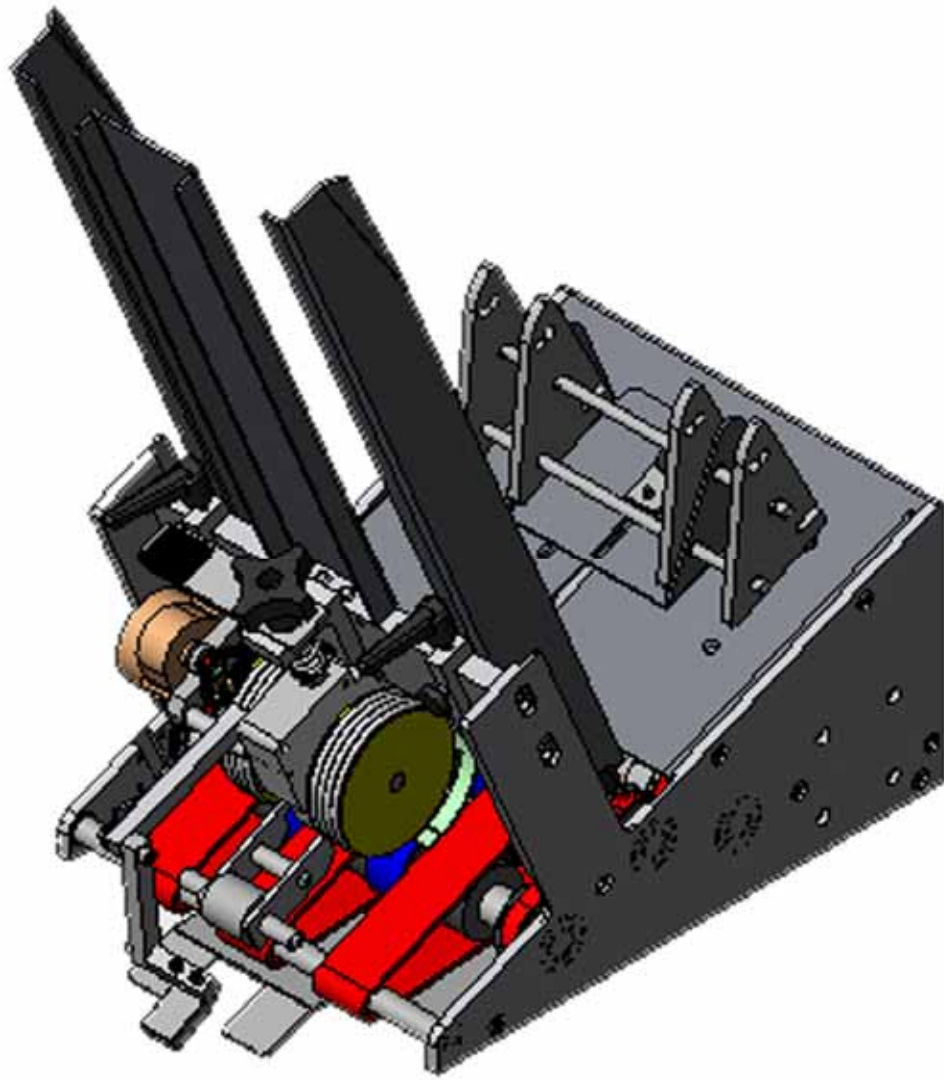
REVISION CONVENTIONS-DOCUMENT

VERSION: name of document with revision_level of entire document- level designates minor changes that do not require revision change

DATE: date of issue for copying and publication of document.

CHANGES: details of document revision_level.

**900 EI FEEDER
ENVELOPE INSERTER
With Shrouded Separator**



**900 EI FEEDER
ENVELOPE INSERTER
With Shroudless Separator**

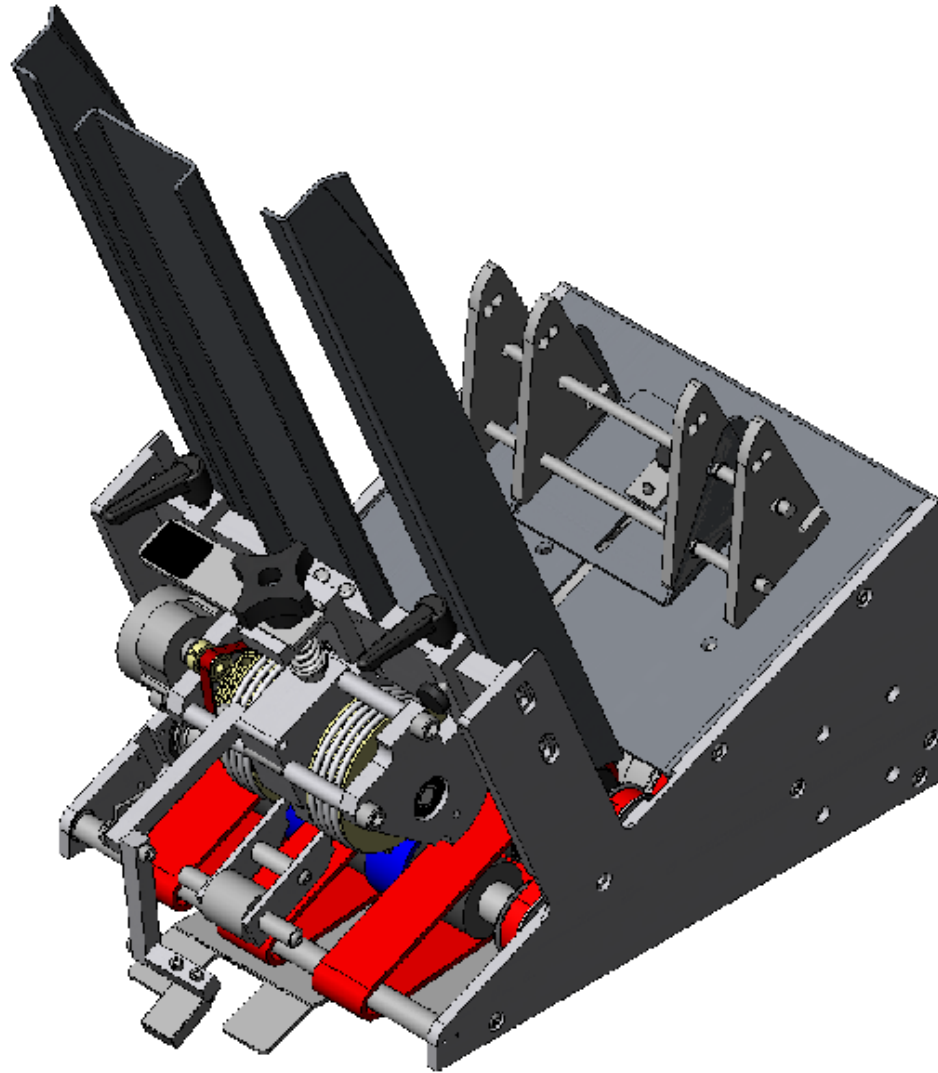


TABLE OF CONTENTS

900 EI FEEDER

FEEDER ASSEMBLY: SHROUDED SEPARATOR (FIG. 1)	4-5
 110V SEPARATOR W/CROSSBAR (FIG. 2)	6
 110V SEPARATOR (FIG. 2A)	7-8
FEEDER ASSEMBLY: SHROUDLESS SEPARATOR (FIG. 1A)	5a
 110V SEPARATOR W/CROSSBAR (FIG. 2-1)	6a
 110V SEPARATOR (FIG. 2-1A)	7a-8a
FRONT SHAFT (FIG. 3)	9
NIP ROLLER SHAFT (FIG. 4)	10
MAIN SHAFT (FIG. 5)	11
CLUTCH SHAFT (FIG. 6)	12
IDLER SUPPORT SHAFT (FIG. 7)	13
MOTOR (FIG. 8)	14
CHASSIS (FIG. 9)	15-16
SENSOR ARM (FIG. 10)	17
TRAILING ARM (FIG. 11)	18
SIDE GUIDES: SHROUDED SEPARATOR (FIG. 12)	19
SIDE GUIDES: SHROUDLESS SEPARATOR (FIG. 12A)	19a
PAPER SLIDE (FIG. 13)	20
KNOCKDOWN (FIG. 14)	21
ELECTRICAL (FIG. 15)	22

900 EI FEEDER ASSEMBLY 10022-042r0

(FIG 1: SHROUDED SEPARATOR) (FIG 1A: SHROUDLESS SEPARATOR)

ITEM	PART NO.	QTY.	DESCRIPTION
FIG1:1	SEE FIG. 2	1	ASSY, 110V SEPARATOR W/CROSSBAR 10020-475
FIG1A:1	SEE FIG. 2-1	1	ASSY, 110V SEPARATOR W/CROSSBAR 10020-475rA
2	SEE FIG. 3	1	ASSEMBLY, FRONT SHAFT (10020-021)
3	SEE FIG. 4	1	ASSEMBLY, NIP ROLLER SHAFT (10020-029)
4	SEE FIG. 5	1	ASSEMBLY, MAIN SHAFT (10020-044)
5	SEE FIG. 6	1	ASSEMBLY, CLUTCH SHAFT (10020-052)
6	SEE FIG. 7	1	ASSEMBLY, IDLER SUPPORT SHAFT (10020-036)
7	SEE FIG. 8	1	ASSEMBLY, MOTOR (10020-062)
8	SEE FIG. 9	1	ASSEMBLY, CHASSIS (10020-069)
9	SEE FIG. 10	1	ASSEMBLY, SENSOR ARM (10020-006)
10	SEE FIG. 11	1	ASSEMBLY, TRAILING ARM (10020-074)
11	SEE FIG. 12	1	ASSEMBLY, SIDE GUIDES (10020-014)
12	SEE FIG. 13	1	ASSEMBLY, PAPER SLIDE (10020-059)
13	99000-004	3	BELT, RED GUM
14	99000-001	1	BELT, TIMNG, 90XL037
15	99000-002	1	BELT, TIMNG, 110XL037
16	-	-	NOT USED
17	17005-002	1	GUIDE, EXTENSION
18	-	2	SCREW, SKT HEAD, #10-24 X 3/8
19	-	2	NUT, HEX, #10-24
-	SEE FIG. 14	1	ASSEMBLY, KNOCKDOWN (10017-001)

See next page for details

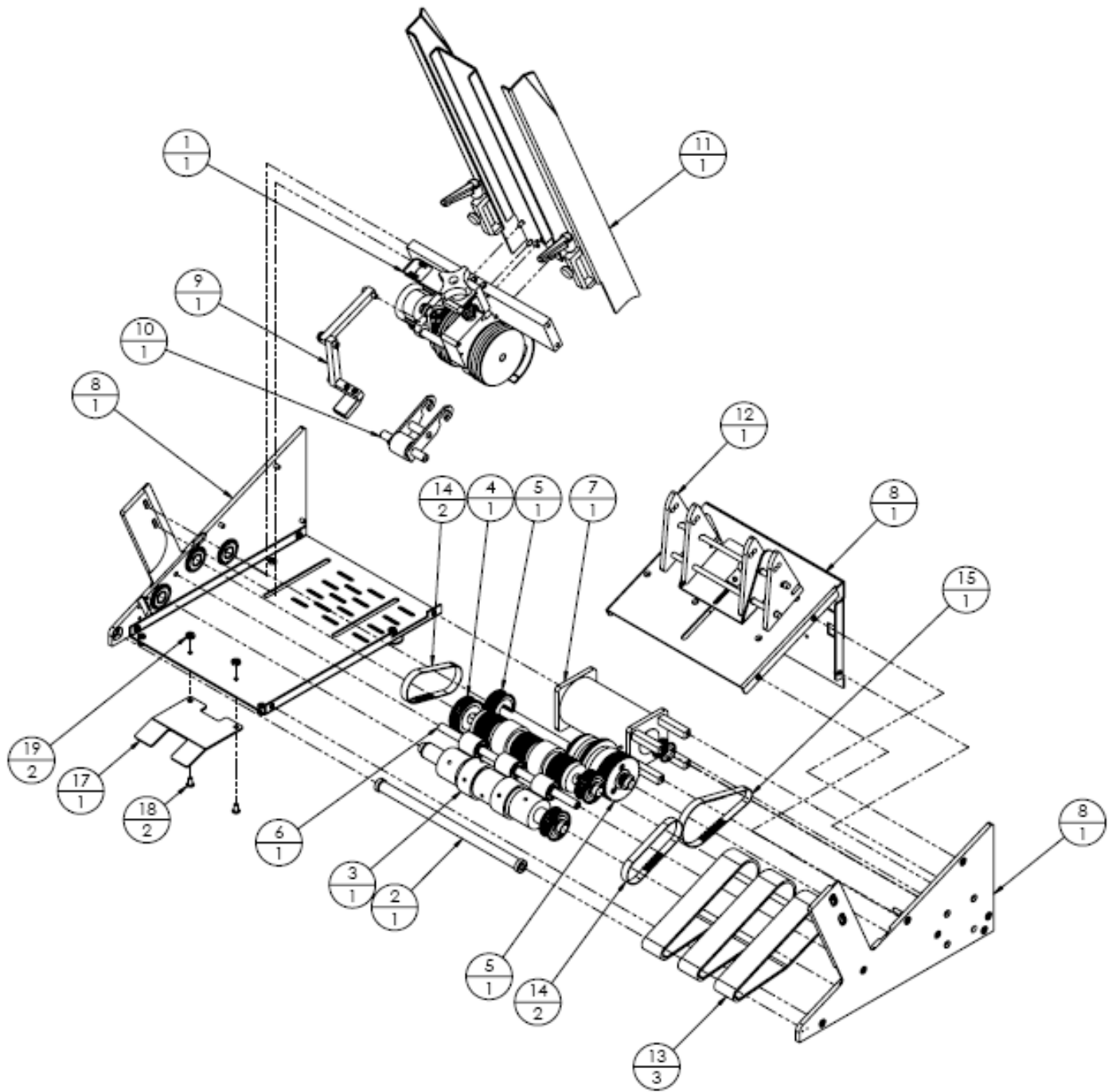


FIG 1: Shrouded Separator

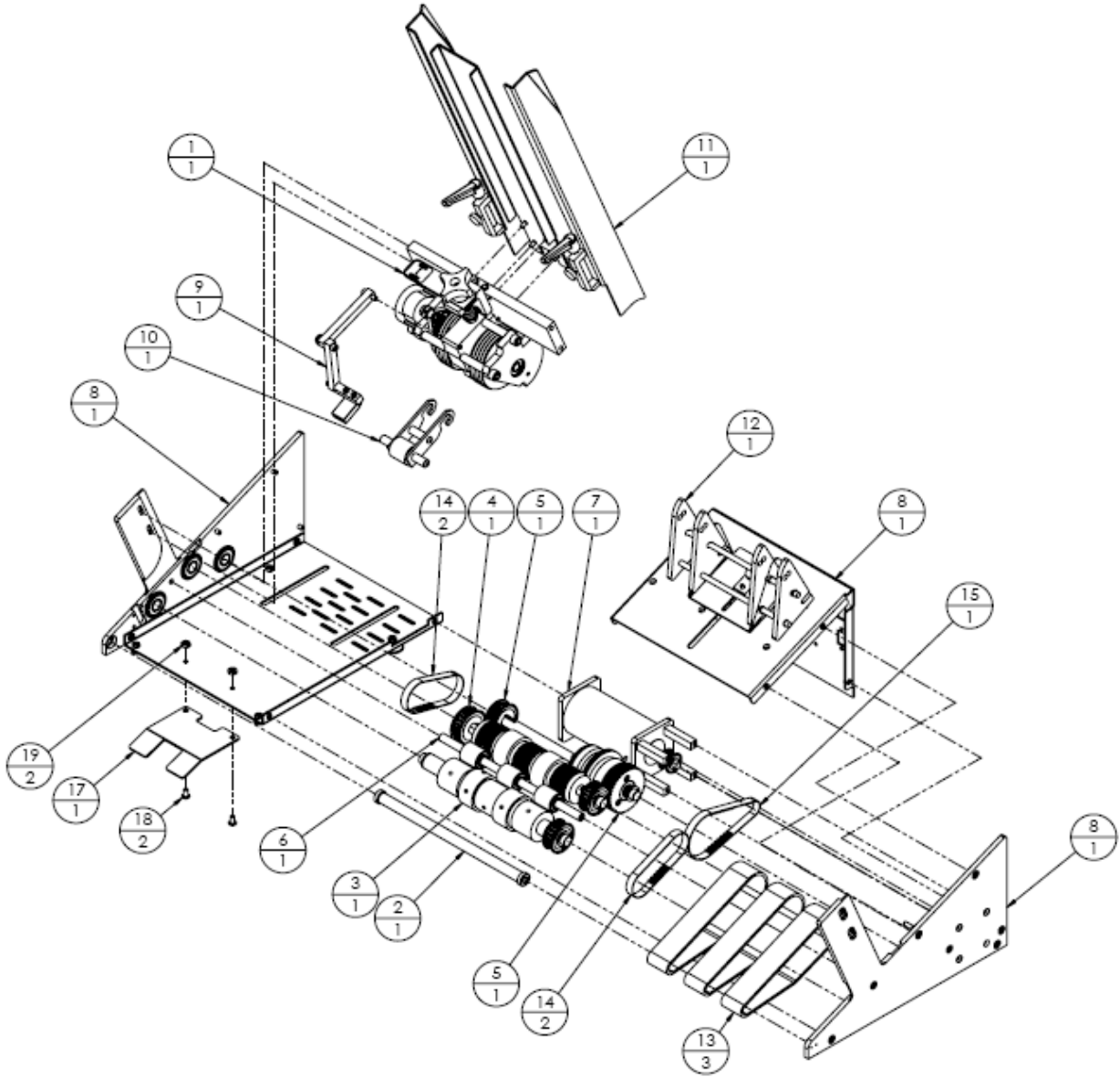
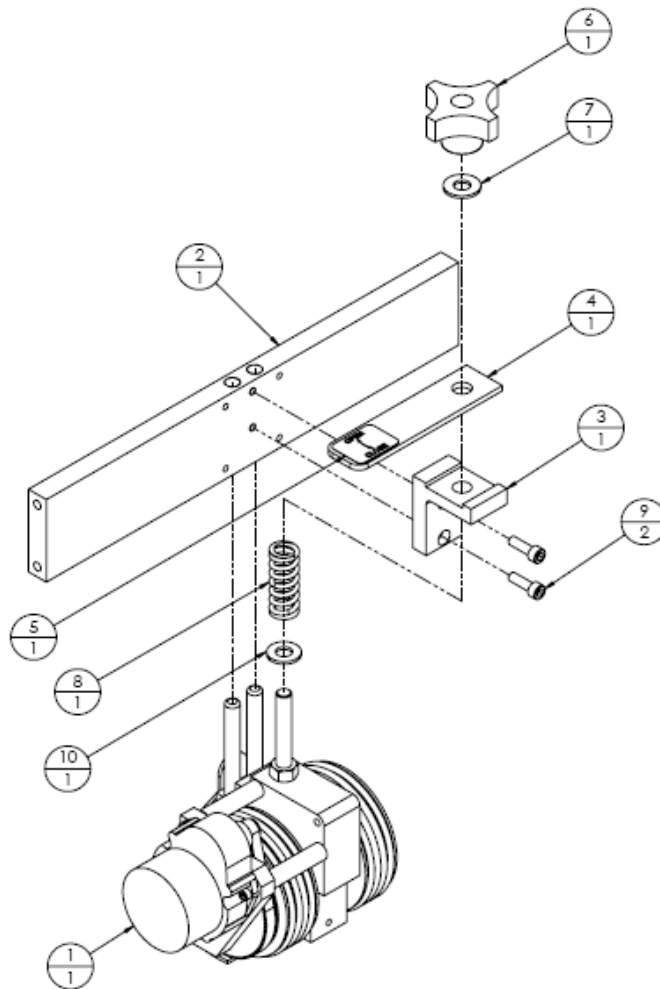


FIG 1A: Shroudless Separator

**900 EI FEEDER ASSEMBLY (Fig. 2)
110V SHROUDED SEPARATOR W/CROSS BAR (10020-475r0)**

ITEM	PART NO.	QTY.	DESCRIPTION
1	SEE FIG. 2A	REF	ASSEMBLY, SEPARATOR, 110V, CCW (10020-004)
2	10003-001	1	CROSS BAR
3	10007-010	1	BLOCK, SEPARATOR ADJUSTING
4	10008-024	1	BAR, SEPARATOR RELEASE
5	18017-008	1	LABEL, FEEDER SEPARATOR ADJUSTING
6	99004-001	1	KNOB, FEMALE 5/16-24
7	99003-015	1	WASHER, NYLON, 5/16 X 1/16 THK
8	99005-045	1	SPRING, COMPRESSION
9	-	2	SCREW, SKT HD, #10-24 X 5/8
10	-	1	FLAT WASHER, 5/16

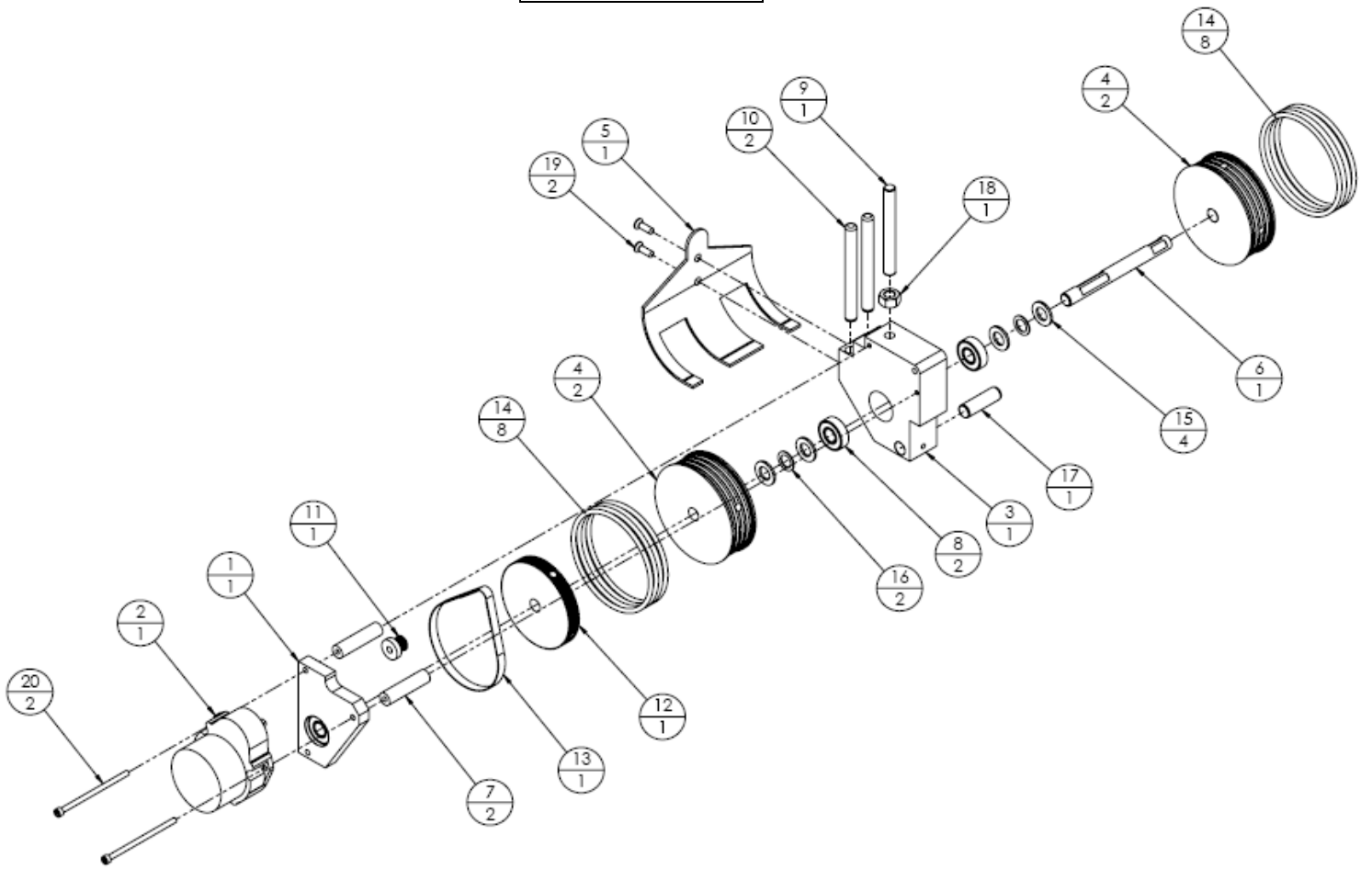


ASSEMBLY, SEPARATOR, 110V, CCW (10020-004r0) (Fig. 2A)

ITEM	PART NO.	QTY.	DESCRIPTION
1	10020-313	1	ASSY, MOTOR PLATE MTG, RH
	10011-001	1 EA	PLATE, MOTOR MOUNT
	99003-001	1 EA	BEARING, 3/8 X 7/8, SHIELDED
2	10018-035	1	ASSY, MOTOR SEPARATOR, 110V, CCW, 60 HZ
	99001-001	1 EA	MOTOR, SEPARATOR, 110 VAC, 1/3 RPM
	98020-065	1 EA	CAPACITOR, 0.25 µf
	98016-023	1 EA	CONNECTOR, 2-POSITION MALE
3	10007-001	1	BLOCK, SEPARATOR 3" ROLLER
4	10006-001	2	WHEEL, SEPARATOR 3" DIA.
5	10005-003	1	SHROUD, SEPARATOR
6	10004-001	1	SHAFT, SEPARATOR
7	10012-002	2	STANDOFF, SEPARATOR MOTOR
8	99003-001	2	BEARING, 3/8 X 7/8, SHIELDED
9	10004-028	1	STUD, SEPARATOR ADJUSTING
10	99006-002	2	PIN, DOWEL, 5/16 X 3
11	99002-002	1	PULLEY, TIMING, 16MXL025, 3/16B
12	99002-001	1	PULLEY, TIMING, 100MXL025, 3/8B
13	99000-006	1	BELT, TIMING, 115MXL025
14	10014-002	8	O-RING, SEPARATOR 3"
15	99003-017	4	WASHER, NYLON 3/8 X 1/16 THK
16	99003-016	2	WASHER, NYLON 3/8 X 1/32 THK
17	99006-001	1	PIN, DOWEL, 3/8 X 1-1/4
18	-	1	NUT, HEX, 5/16-24
19	-	2	SCREW, FLAT HD, #8-32 X 1/2
20	-	2	SCREW, SKT HD, #6-32 X 2-1/2

See next page for details

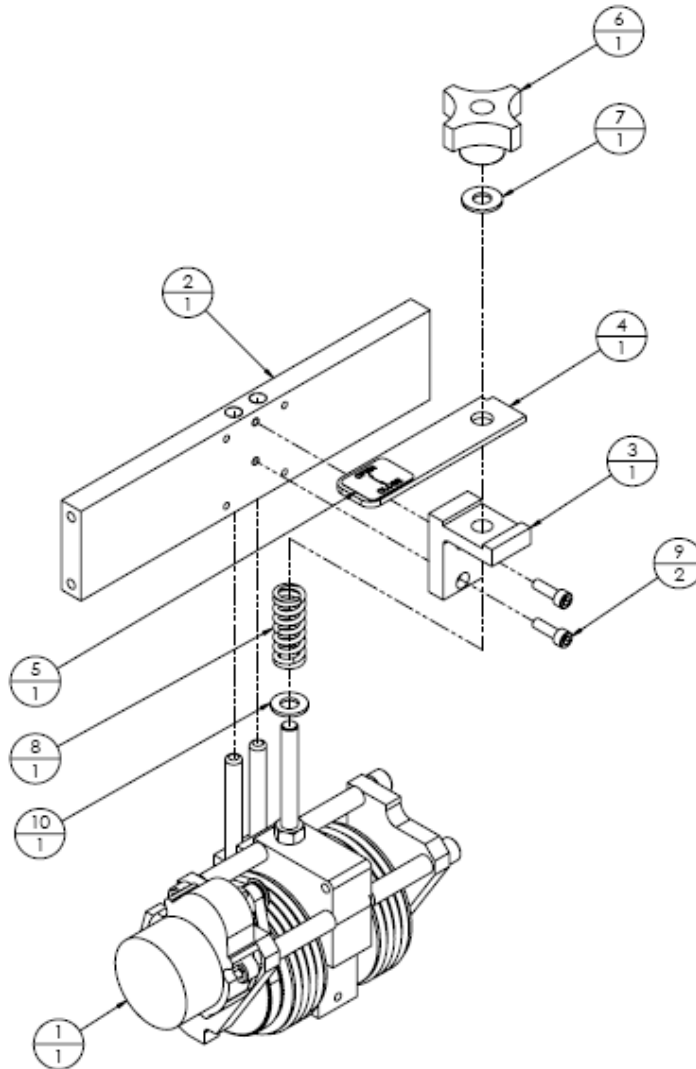
FIG 2A r0



900 EI FEEDER ASSEMBLY (Fig. 2-1)

110V SHROUDLESS SEPARATOR W/CROSS BAR (10020-475rA)

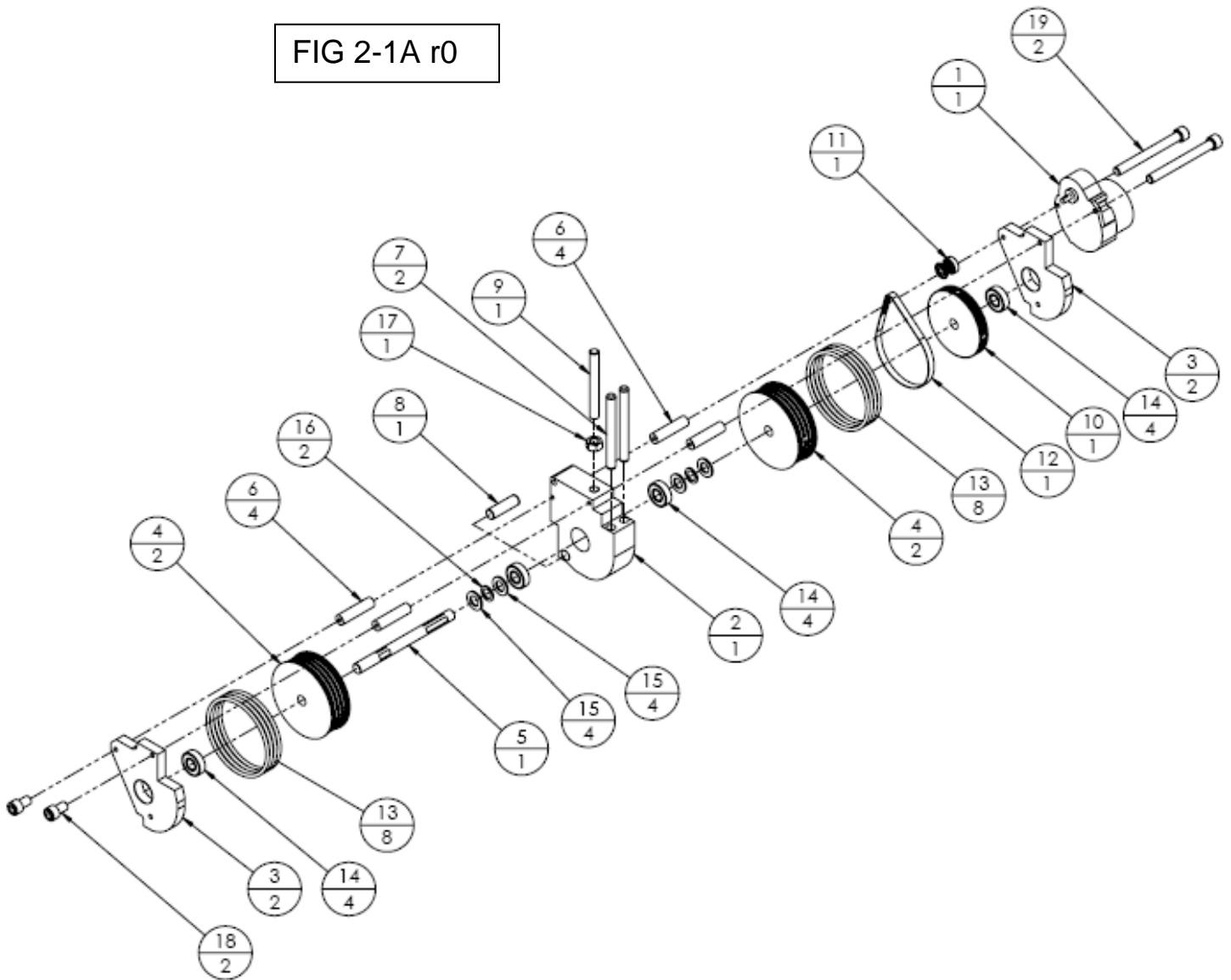
ITEM	PART NO.	QTY.	DESCRIPTION
1	SEE FIG. 2-1A	REF	ASSEMBLY, SEPARATOR, 110V, CCW (10020-511)
2	10003-001	1	CROSS BAR
3	10007-010	1	BLOCK, SEPARATOR ADJUSTING
4	10008-024	1	BAR, SEPARATOR RELEASE
5	18017-008	1	LABEL, FEEDER SEPARATOR ADJUSTING
6	99004-001	1	KNOB, FEMALE 5/16-24
7	99003-015	1	WASHER, NYLON, 5/16 X 1/16 THK
8	99005-045	1	SPRING, COMPRESSION
9	-	2	SCREW, SKT HD, #10-24 X 5/8
10	-	1	FLAT WASHER, 5/16



ASSEMBLY, SEPARATOR, 110V, CCW (10020-511r0) (Fig. 2-1A)

ITEM	PART NO.	QTY.	DESCRIPTION
1	10018-035	1	ASSY, MOTOR SEPARATOR, 110V, CCW, 60 HZ
-	99001-001	1 EA	MOTOR, SEPARATOR, 110 VAC, 1/3 RPM
-	98020-065	1 EA	CAPACITOR, 0.25 μ f
-	98016-023	1 EA	CONNECTOR, 2-POSITION MALE
-	98016-057	2	CONTACT, PIN, 24-18 AWG
2	10007-142	1	BLOCK, SEPARATOR (SHROUDLESS)
3	10011-083	2	PLATE, SEPARATOR MOTOR MTG
4	10006-001	2	WHEEL, SEPARATOR 3" DIA.
5	10004-264	1	SHAFT, SEPARATOR
6	10012-002	4	STANDOFF, SEPARATOR MOTOR
7	99006-002	2	PIN, DOWEL, 5/16 X 3
8	99006-001	1	PIN, DOWEL, 3/8 X 1-1/4
9	10004-028	1	STUD, SEPARATOR ADJUSTING
10	99002-001	1	PULLEY, TIMING, 100MXL025, 3/8B
11	99002-002	1	PULLEY, TIMING, 16MXL025, 3/16B
12	99000-006	1	BELT, TIMING, 115MXL025
13	10014-002	8	O-RING, SEPARATOR 3"
14	99003-001	2	BEARING, 3/8 X 7/8, SHIELDED
15	99003-017	2	WASHER, NYLON 3/8 X 1/16 THK
16	99003-016	2	WASHER, NYLON 3/8 X 1/32 THK
17	-	1	NUT, HEX, 5/16-24
18	-	2	SCREW, SKT HD, #6-32 X 2-1/4
19	-	2	SCREW, SKT HD, #6-32 X 2-1/2
20	99003-020	2	BEARING, 3/8 X 7/8, SEALED W/ SNAP RING

FIG 2-1A r0

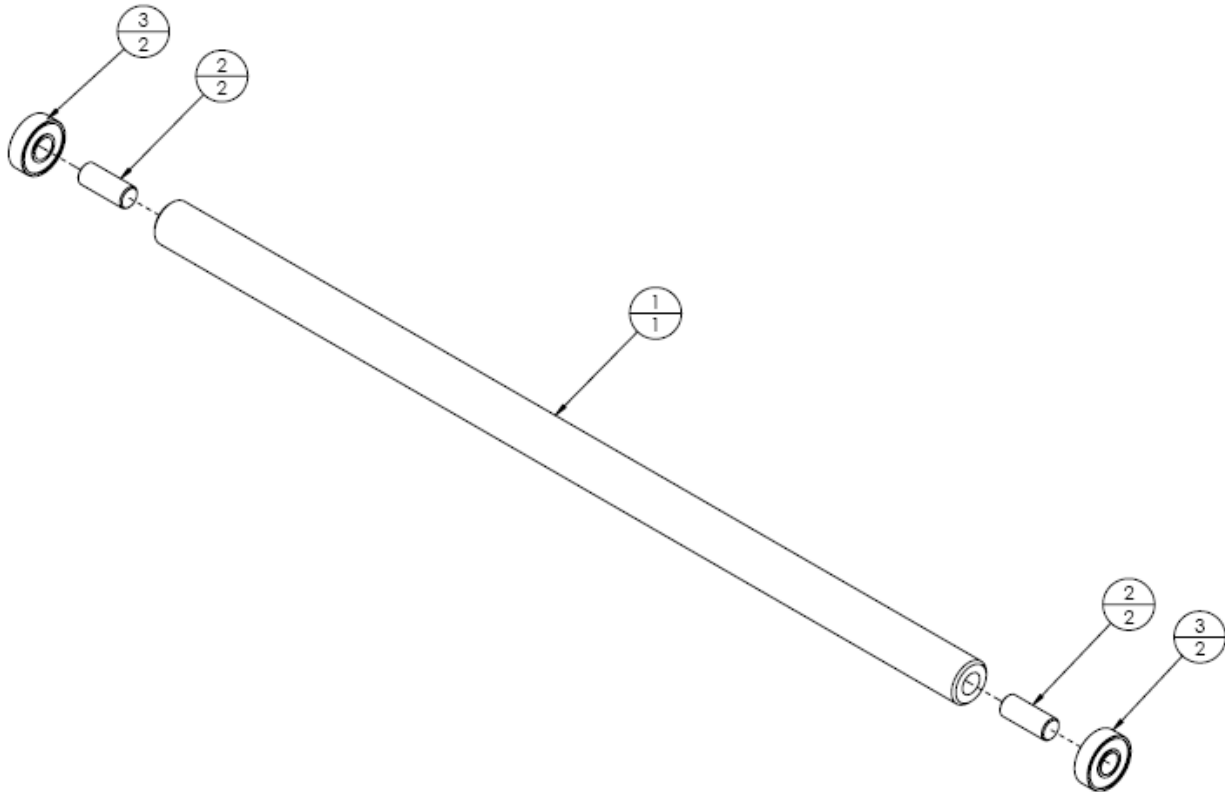


THIS VIEW IS PROVIDED FOR REFERENCE ONLY. IT IS BEING
UPDATED AND WILL BE REPLACED WHEN AVAILABLE.

PITNEY BOWES

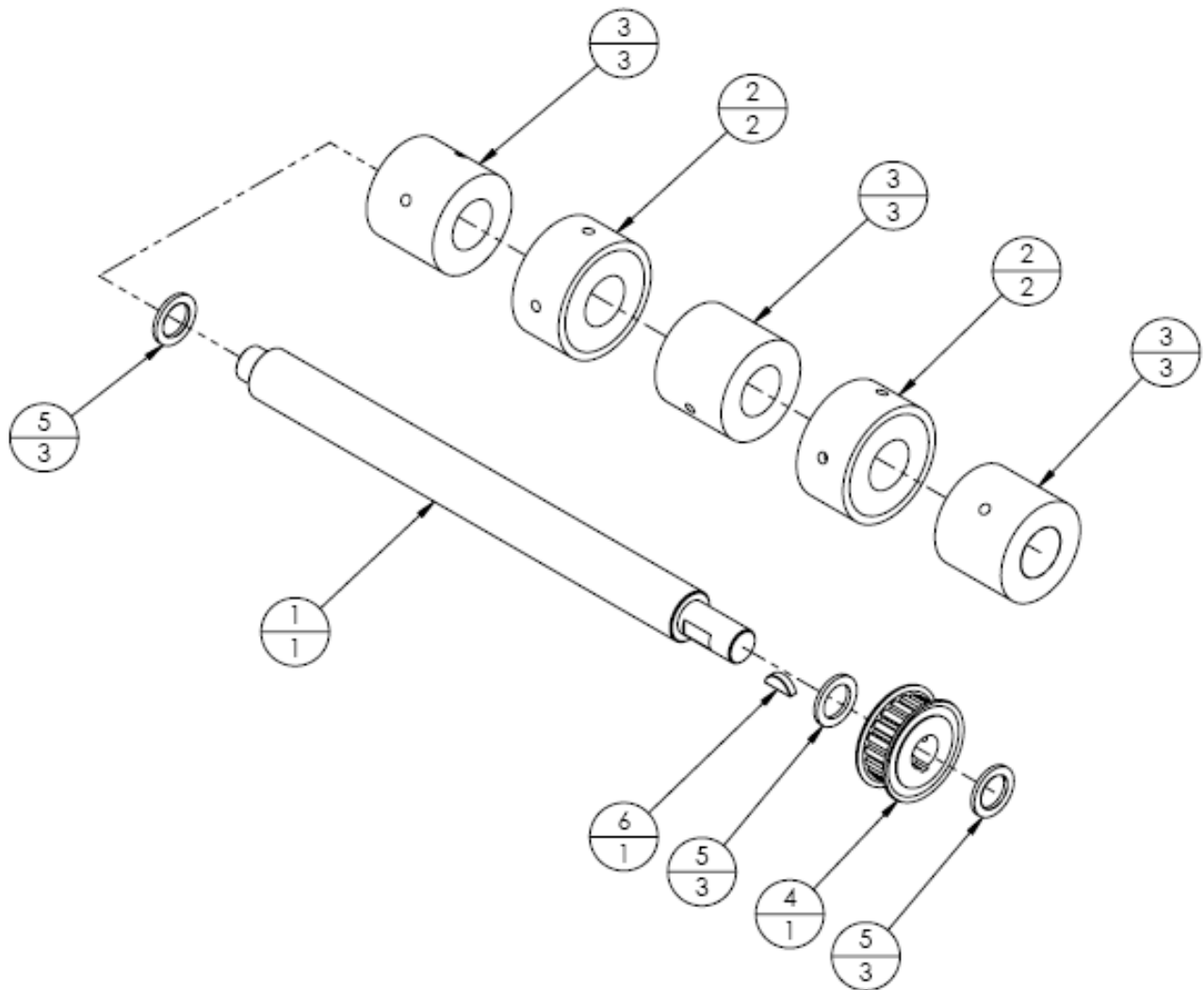
ASSEMBLY, FRONT SHAFT (10020-021r0) (Fig. 3)

ITEM	PART NO.	QTY.	DESCRIPTION
1	10004-067	1	SHAFT, FRONT
2	99006-028	2	PIN, DOWEL, 1/4 X 5/8
3	99003-056	2	BEARING, 1/4 X 5/8 SEALED



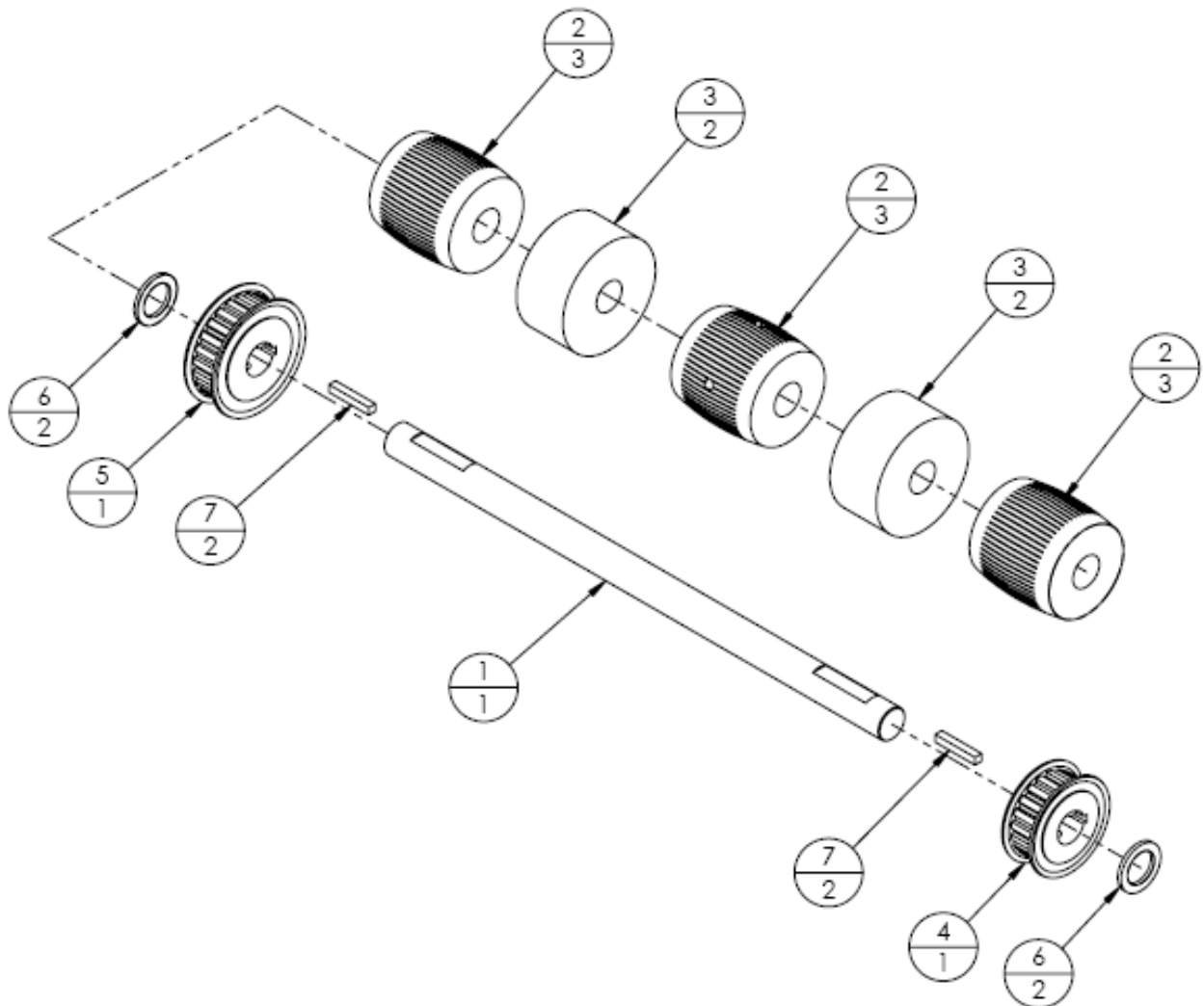
ASSEMBLY, NIP ROLLER SHAFT (10020-029r0) (Fig. 4)

ITEM	PART NO.	QTY.	DESCRIPTION
1	10004-124	1	SHAFT, NIP ROLLER-3/4B
2	10006-070	2	ROLLER, NIP, 3/4 B
3	10006-071	3	PULLEY, MATE, 3/4 B
4	99002-054	1	PULLEY, 20XL037, 1/2B
5	99003-018	3	WASHER, NYLON, 1/2 X 1/16
6	99034-004	1	KEY, WOODRUFF, 1/8 X 1/2



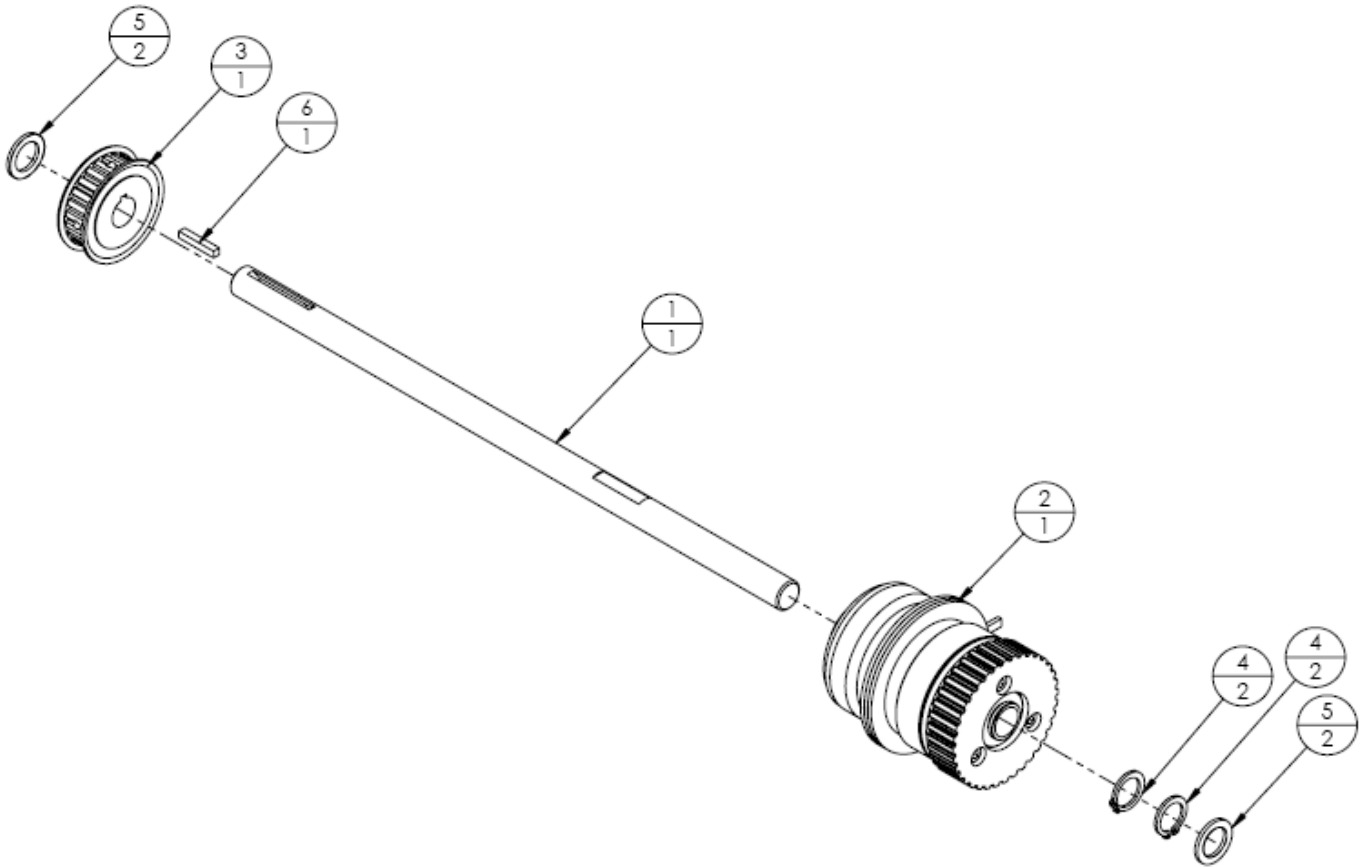
ASSEMBLY, MAIN SHAFT (10020-044r0) (Fig. 5)

ITEM	PART NO.	QTY.	DESCRIPTION
1	10004-002	1	SHAFT, MAIN
2	10006-018	3	PULLEY, CROWNED
3	10006-007	2	ROLLER, FEEDER, 1/2 B
4	99002-054	1	PULLEY, 20XL037, 1/2B
5	99002-031	1	PULLEY, TIMING, 24XL037, NO HUB
6	99003-018	2	WASHER, NYLON, 1/2 X 1/16
7	99034-003	2	KEY, SQUARE, 1/8 X 3/4



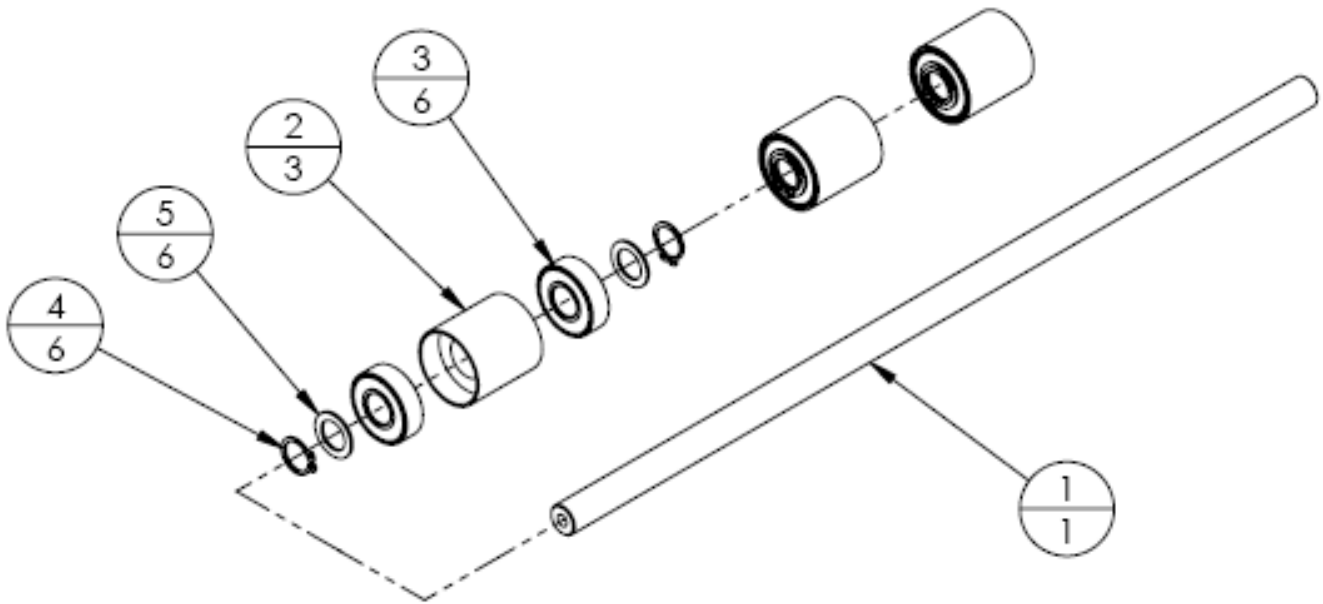
ASSEMBLY, CLUTCH SHAFT (10020-052r0) (Fig. 6)

ITEM	PART NO.	QTY.	DESCRIPTION
1	10004-155	1	SHAFT, CLUTCH
2	99008-010	1	CLUTCH, BRAKE, 24V (LENZA)
3	99002-074	1	PULLEY, TIMING, 22XL037, 1/2B
4	99022-004	2	SNAP RING, 1/2
5	99003-018	2	WASHER, NYLON, 1/2 X 1/16
6	99034-003	1	KEY, SQUARE, 1/8 X 3/4



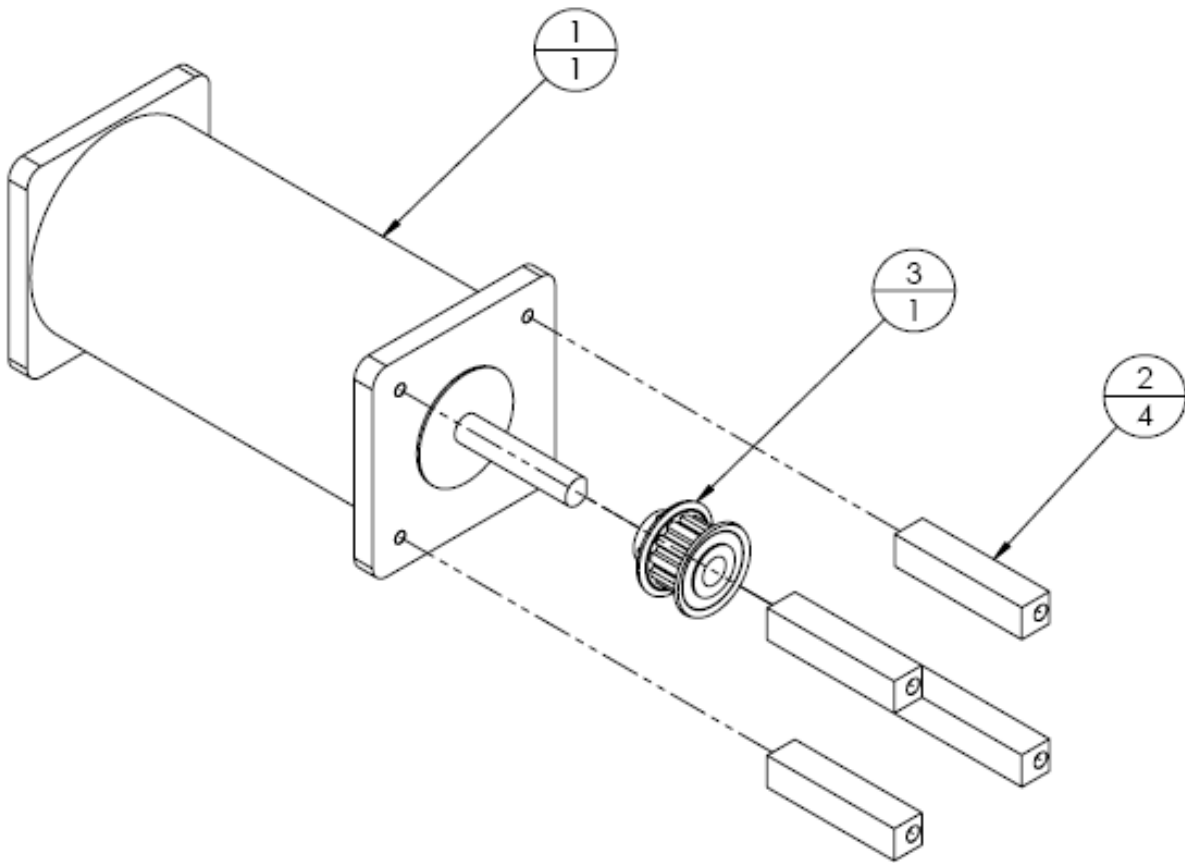
ASSEMBLY, SUPPORT IDLER SHAFT (10020-036r0) (Fig. 7)

ITEM	PART NO.	QTY.	DESCRIPTION
1	10004-003	1	SHAFT, SUPPORT IDLER
2	10006-012	3	ROLLER, IDLER
3	99003-001	6	BEARING, SEALED, 3/8 X 7/8
4	99022-003	6	SNAP RING, 3/8
5	99003-016	6	WASHER, NYLON, 3/8 X 1/32



ASSEMBLY, MOTOR (10020-062r0) (Fig. 8)

ITEM	PART NO.	QTY.	DESCRIPTION
1	99001-003	1	MOTOR, 1/27 HP, 90VDC
2	10012-001	4	STANDOFF, MOTOR
3	99002-008	1	PULLEY, TIMING, 12XL037-5/16B
n/s	-	4	SCREW, SKT HD, #8-32 x 2
n/s	98016-057	2	CONTACT, PIN, 24-18 AWG

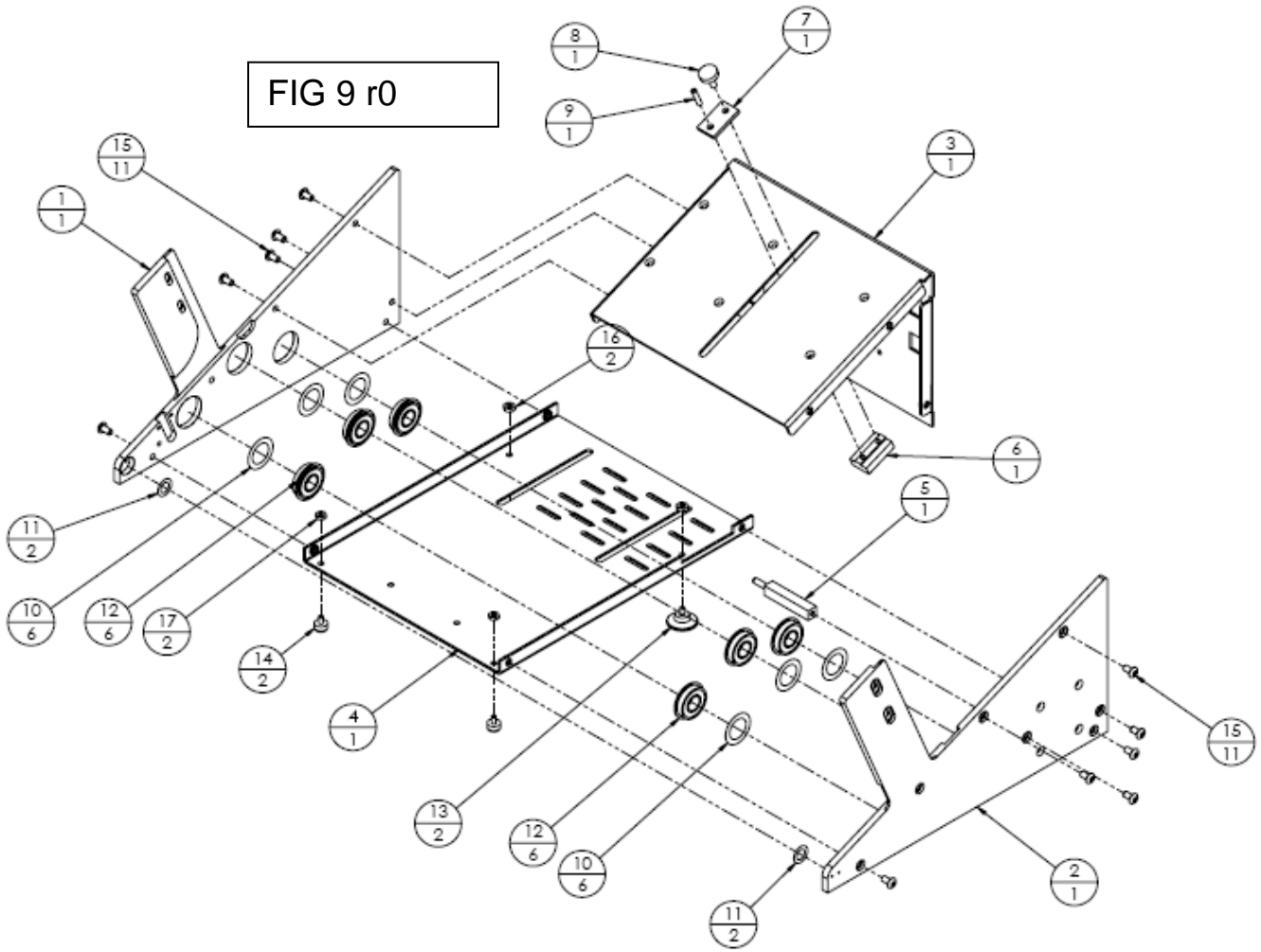


ASSEMBLY, CHASSIS (10020-069r0) (Fig. 9)

ITEM	PART NO.	QTY.	DESCRIPTION
1	10000-001	1	SIDE FRAME, RH
2	10000-002	1	SIDE FRAME, LH
3	10001-038	1	COVER, TOP
4	10002-001	1	BOTTOM PLATE
5	10020-447	1	ASSY, CLUTCH STOP
-	10008-006	1 EA	CLUTCH STOP
-	99006-021	1 EA	PIN, ROLL, 3/16 X 1-1/4
	-	1	SCREW, BUTTON HD, #10-24 X 1/2
6	10007-003	1	NUT, PAPER SLIDE
7	10007-004	1	WASHER, PAPER SLIDE
8	10020-317	1	ASSY, KNOB, #10-24 X 1/2
9	99006-020	1	PIN, ROLL, 5/32 X 3/4
10	99036-003	6	SHIM, BEARING, 3/4 X 1-1/8 X .006
11	99036-005	2	SHIM, ARBOR, 3/8 X 5/8 X .006
12	99003-083	6	BEARING, 1/2 X 1-1/8 SEALED
13	99007-001	2	FOOT, SUCTION, #8-32
14	99039-118	2	BUMPER, RND, #6-32 THRD
15	-	10	SCREW, BUTTON HD, #10-24 X 3/8
16	-	2	HEX NUT, #6-32
17	-	2	HEX NUT, #8-32
-	-	2	SCREW, PH. PAN HD, #8-32 X 3/4
-	-	6	WASHER, FLAT, #8
-	-	2	HEX NUT, #8-32
-	-	2	WING NUT, #8-32
-	-	2	SCREW, PH. FLAT HD, #8-32 X 1/2

See next page for details

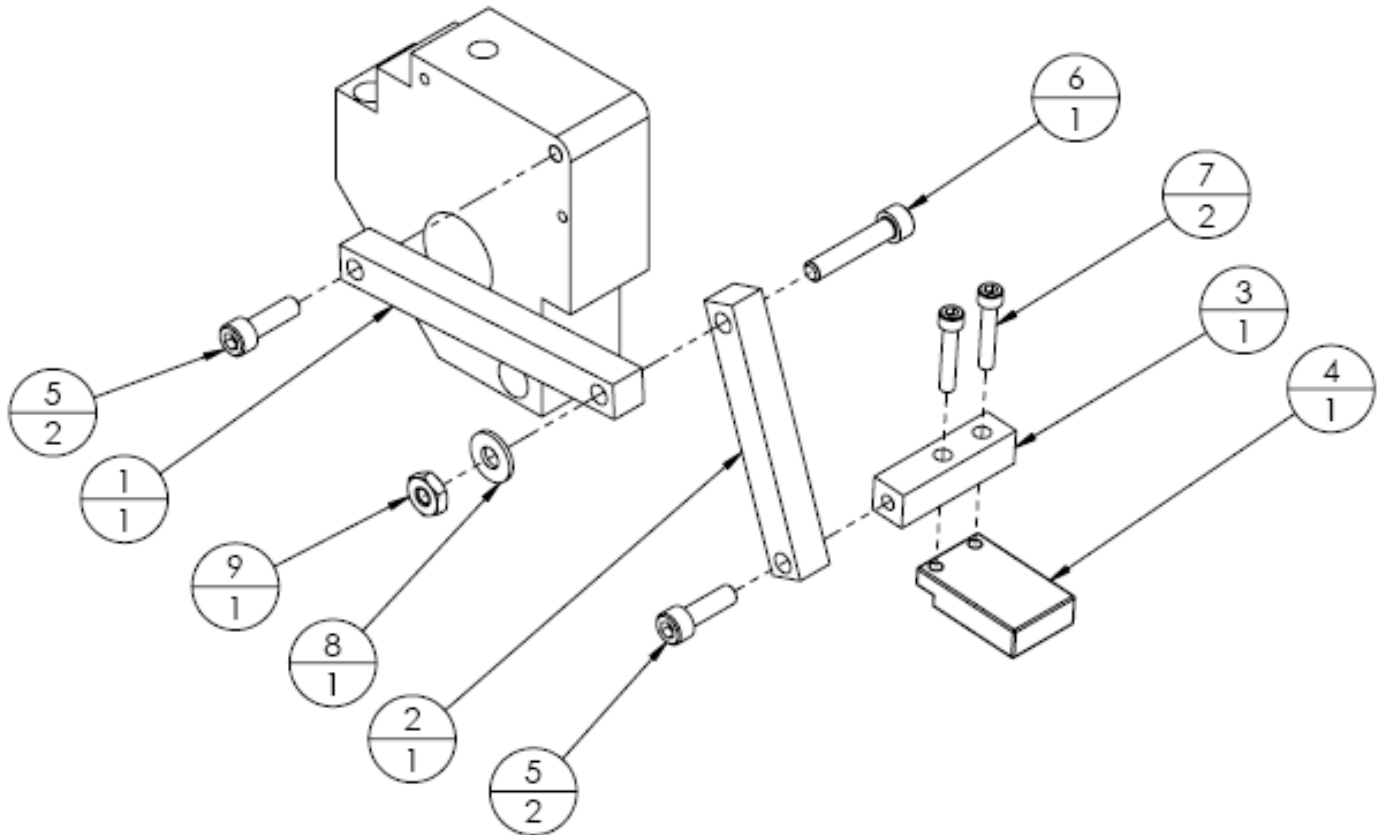
FIG 9 r0



ASSEMBLY, SENSOR ARM (10020-006r0) (Fig. 10)

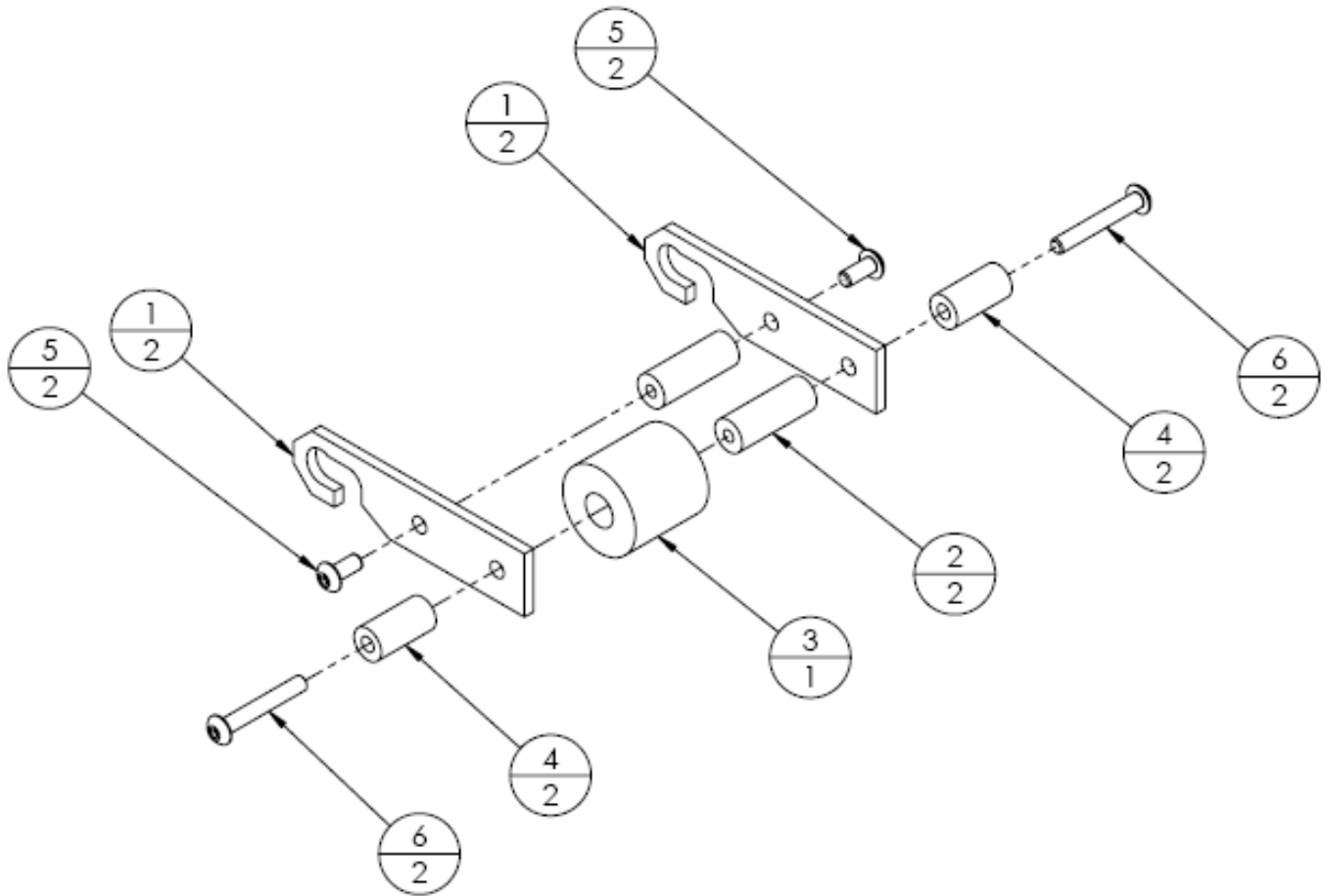
ITEM	PART NO.	QTY.	DESCRIPTION
1	10009-011	1	ARM, SENSOR
2	10009-007	1	ARM, SENSOR
3	10009-006	1	MOUNT, SENSOR
4	98009-001	1	SENSOR, DIFFUSE RELECTIVE
5	-	1	SCREW, SKT HEAD, #10-32 X 1"
6	-	1	SCREW, SKT HEAD, #10-24 X 1"
7	-	2	SCREW, SKT HEAD, #6-32 X 3/4
8	-	1	FLAT WASHER #10
9	-	1	HEX NUT, #10
-	98016-116	1	CONNECTOR, 3-POS, FEMALE, (.093)

ACTUAL ASSEMBLY ON FEEDER IS OPPOSITE HAND TO VIEW SHOWN
DRAWING IS BEING UPDATED AND WILL BE REPLACED WHEN AVAILABLE



ASSEMBLY, TRAILING ARM (10020-074r0) (Fig. 11)

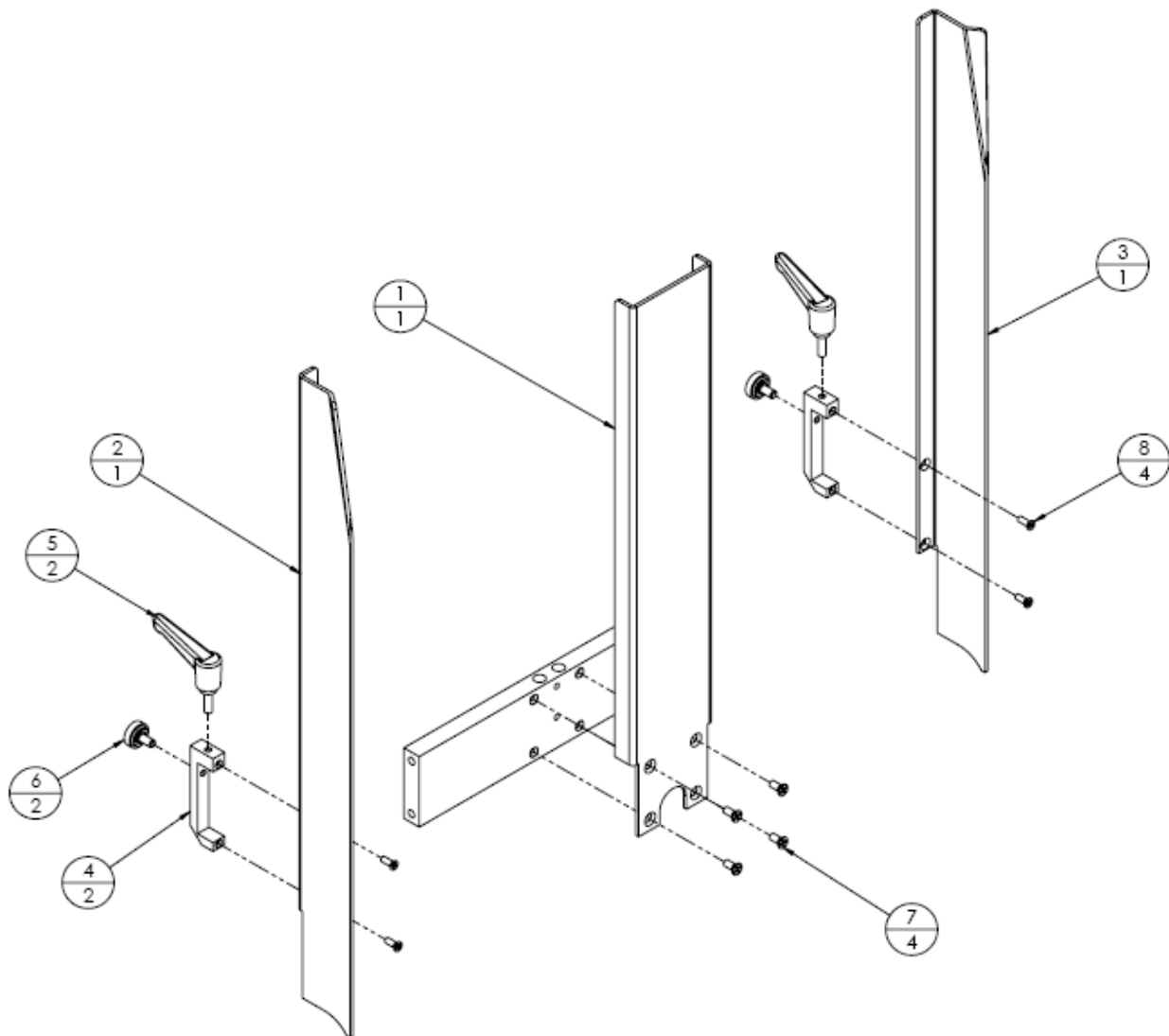
ITEM	PART NO.	QTY.	DESCRIPTION
1	10011-002	2	PLATE, ROLLER MTG
2	10012-003	2	SPACER, TONGUE
3	10006-016	1	ROLLER, TONGUE
4	10004-007	2	WEIGHT
5	-	2	SCREW, PHILIPS HEAD, #8-32 X 3/8
6	-	2	SCREW, PHILIPS HEAD, #8-32 X 1-1/8
N/S	-	4	#8 INTERNAL TOOTH STAR WASHER



ASSEMBLY, SIDE GUIDES (10020-014r0) (Fig. 12)

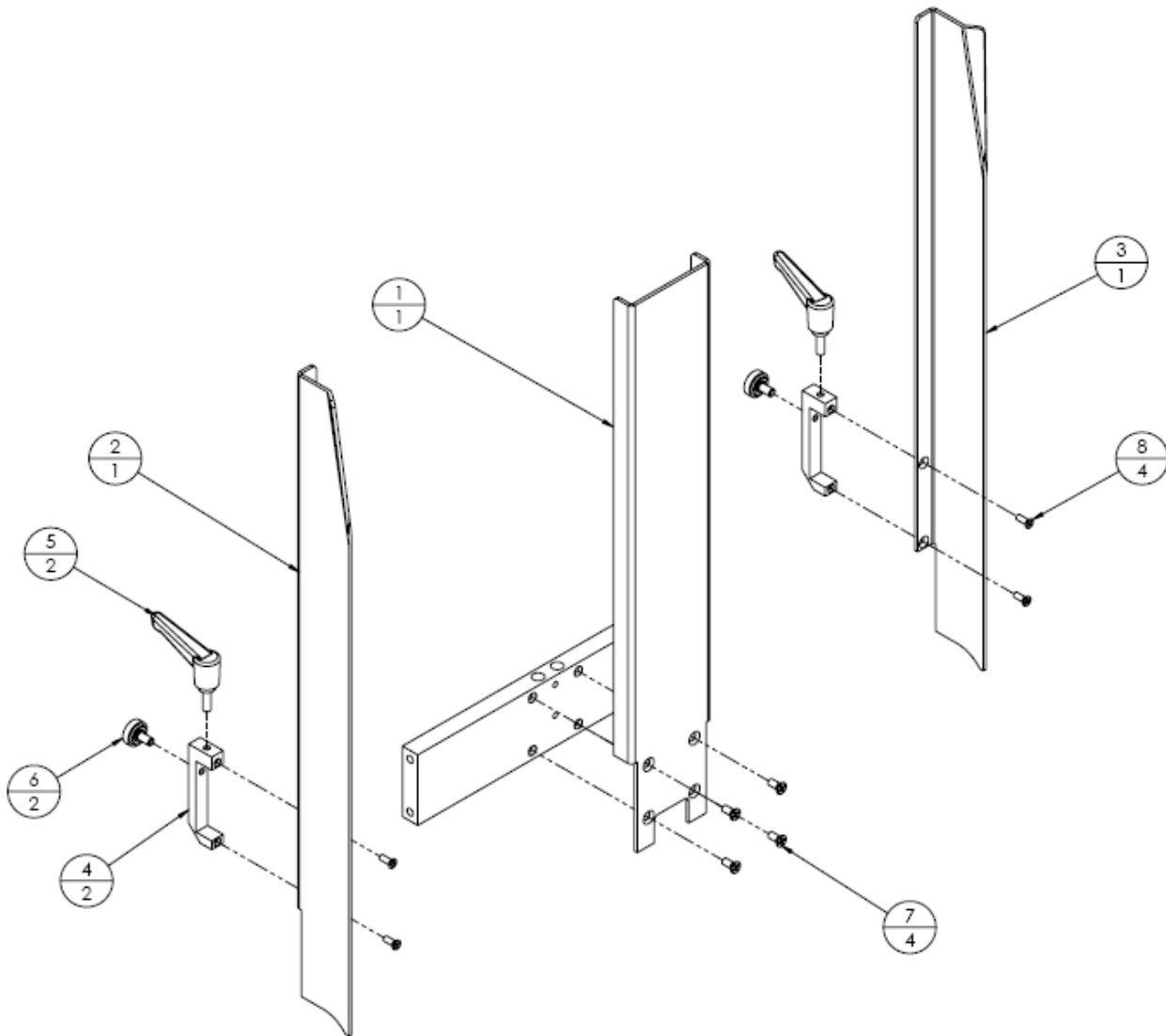
ITEM	PART NO.	QTY.	DESCRIPTION
1	10005-002	1	GUIDE, FRONT PAPER (Shrouded separator)
2	10005-011	1	SIDE GUIDE, LH
3	10005-010	1	SIDE GUIDE, RH
4	10009-002	2	BRACKET, SIDE GUIDE MTG
5	99004-003	2	HANDLE, RATCHET, #10-24 X 5/8
6	10020-316	2	ASSY, KNOB, #10-24 X 3/8
7	-	4	SCREW, FLAT HD, #8-32 X 1/2
8	-	4	SCREW, FLAT HD, #6-32 X 5/16

Note: Item 1-P/N 10005-002 can only be used with shrouded separators. Use P/N 10005-200 when replacing a shrouded separator with the shroudless version.



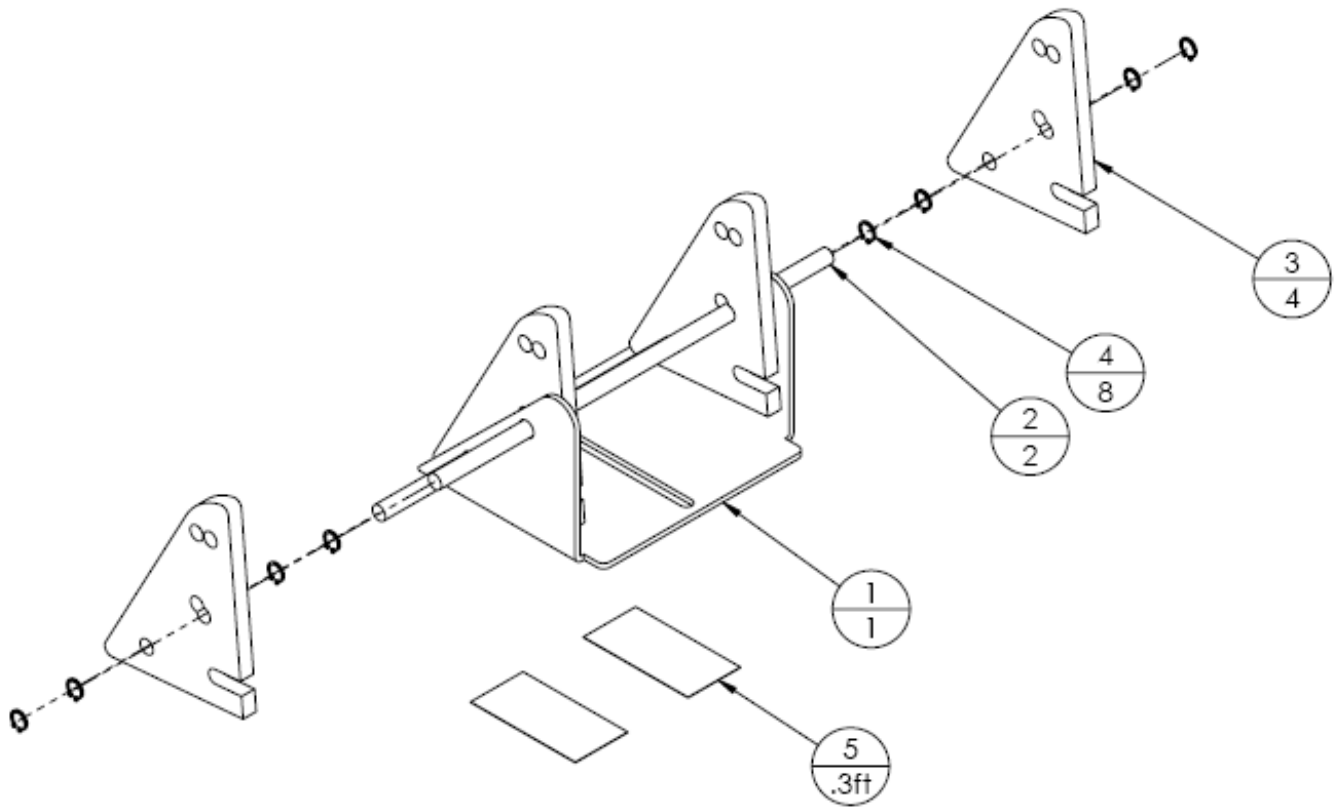
ASSEMBLY, SIDE GUIDES (10020-014rA) (Fig. 12A)

ITEM	PART NO.	QTY.	DESCRIPTION
1	10005-200	1	GUIDE, FRONT PAPER (Shroudless separator)
2	10005-011	1	SIDE GUIDE, LH
3	10005-010	1	SIDE GUIDE, RH
4	10009-002	2	BRACKET, SIDE GUIDE MTG
5	99004-003	2	HANDLE, RATCHET, #10-24 X 5/8
6	10020-316	2	ASSY, KNOB, #10-24 X 3/8
7	-	4	SCREW, FLAT HD, #8-32 X 1/2
8	-	4	SCREW, FLAT HD, #6-32 X 5/16



ASSEMBLY, PAPER SLIDE (10020-059r0) (FIG. 13)

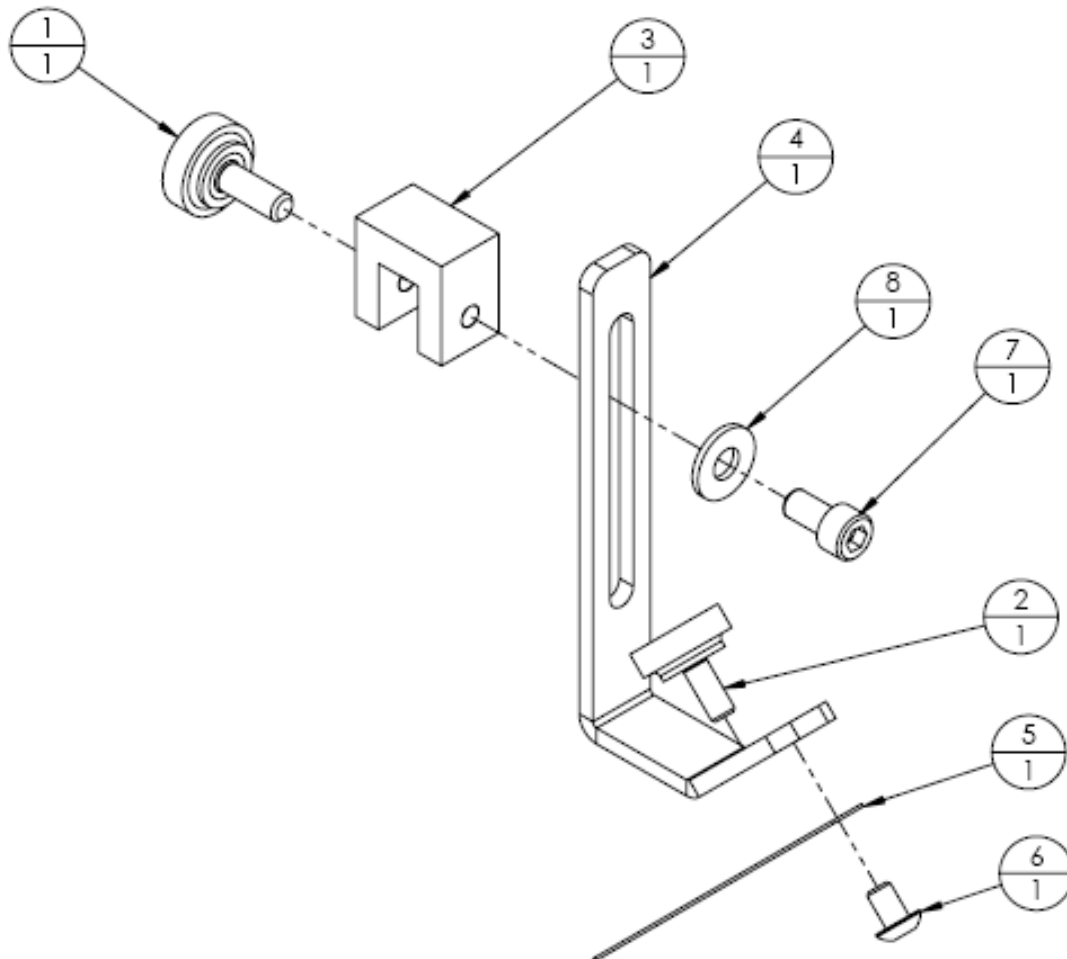
ITEM	PART NO.	QTY.	DESCRIPTION
1	10009-003	1	BRACKET, PAPER SLIDE
2	10004-014	2	SHAFT, PAPER SLIDE
3	10005-016	4	SLIDE, PAPER
4	99022-001	8	SNAP RING, 1/4"
5	99039-009	0.5 FT	ANTI-SKID TAPE, BLACK



ASSEMBLY, PAPER KNOCKDOWN (10017-001r0) (FIG. 14)

ITEM	PART NO.	QTY.	DESCRIPTION
1	10020-317	1	ASSY, KNOB, #10-24 X 1/2
2	10020-318	1	ASSY, KNOB, #8-32 X 3/8
3	10007-019	1	BLOCK, KNOCKDOWN
4	10009-021	1	BRACKET, KNOCKDOWN
5	10005-040	1	GUIDE, SPRING STEEL
6	-	1	SCREW, PHILIPS HD, #8-32 X 1/4
7	-	1	SCREW, SKT HD, #10-24 X 3/8
8	-	1	FLAT WASHER, #10
N/S	-	1	LOCK WASHER, #10

QTY (2) REQUIRED PER FEEDER-TO BE MOUNTED ON CUSTOMER EQUIPMENT



ASSEMBLY, ELECTRICAL (10018-116) (FIG. 15)

ITEM	PART NO.	QTY.	DESCRIPTION
1	98000-001	1	SWITCH, ROCKER - RED - ILLUM
2	98001-002	1	TERMINAL STRIP 12 CONN. (FEED
3	98004-001	1	CIRCUIT BREAKER 2 AMP (FEEDER)
4	98006-032	1	CONTECH 305051 FEEDER CONTROL
5	98006-031	1	EEPROM FOR I/O BOARD (W/PROGRAM)
6	98003-001	1	RECEPTACLE, POWER CORD
7	99006-021	1	KNOB, POTENTIOMETER (KB)
8	98007-001	1	CORD, POWER, 90° ANGLE
9	10011-035	1	PLATE, SWITCH COVER
10	98008-001	1	TRANSFORMER (120V)
11	98006-004	1	DIAL, SPEED POT (KB)
12	98006-007	1	POT KIT
13	98016-116	1	CONNECTOR, 3- POS FEMALE (.093)
14	98016-021	1	CONNECTOR, 5- POS FEMALE (.093)
15	98016-179	1	CONNECTOR, 10 PIN RECEP-MOLEX
16	98016-180	2	CONNECTOR, 16 PIN RECEP-MOLEX
17	98006-041	6	SPACER, NYLON #6 THRU X .375
18	98006-043	6	WASHER, FIBER #6 X .375
19	98016-056	8	CONTACT, SOCKET 24-18 AWG
20	98016-181	26	SOCKET, 28-22 AWG

NO DRAWING AVAILABLE AT THIS PUBLICATION DATE